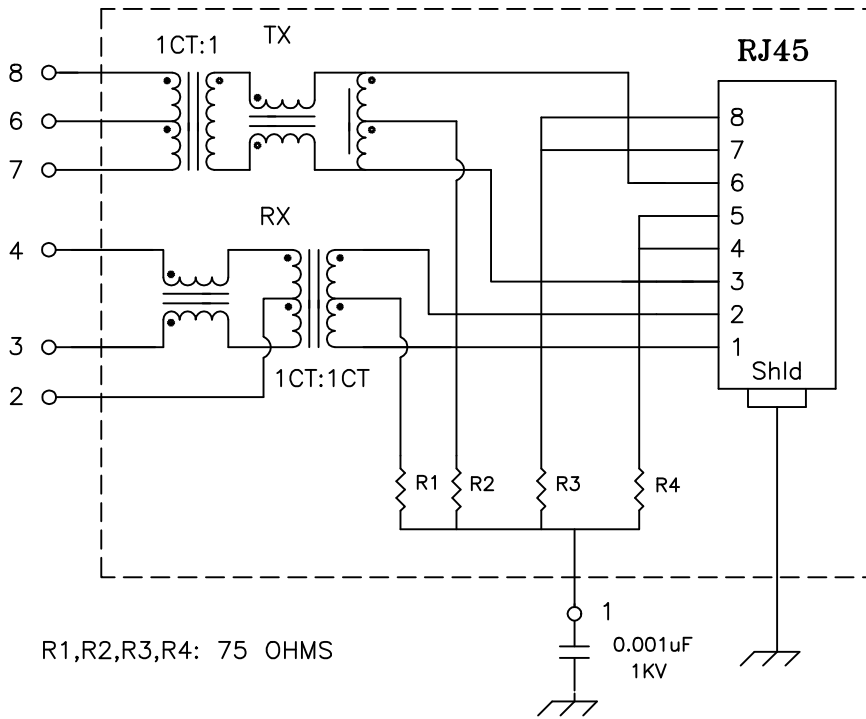


Schematic: (ONE OF TWO)



Electrical Specifications: @25°C

- Isolation Voltage: 1500 Vrms (INPUT to OUTPUT)
- Isolation Voltage: 500 Vrms (6+7+8-2+3+4)
- URNS RATIO: TX 1CT:1 ±5% RX 1CT:1CT ±5%
- OCL: 350uH Minimum @100KHz 100mV 8mADC
- Insertion Loss (300KHz-100MHz): -1.0dB Typical
- Return Loss: 30MHz -16dB Typical
- 60MHz -12dB Typical
- 80MHz -10dB Typical
- CROSSTALK: 32MHz -40dB Minimum
- 62MHz -35dB Minimum
- 100MHz -35dB Minimum

Note:

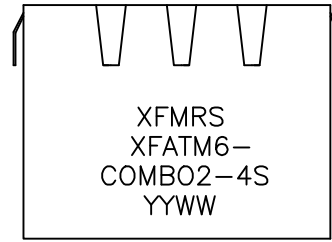
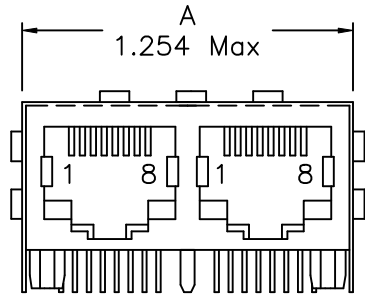
1. Solderability: Leads shall meet MIL-STD-202, Method 208D for solderability.
2. Flammability: UL94V-0,
3. ASTM oxygen index: > 28% ,
4. Temperature rating: 155°C. UL file E151556,
5. Operating Temperature Range: 0°C to +70°C

PRELIMINARY

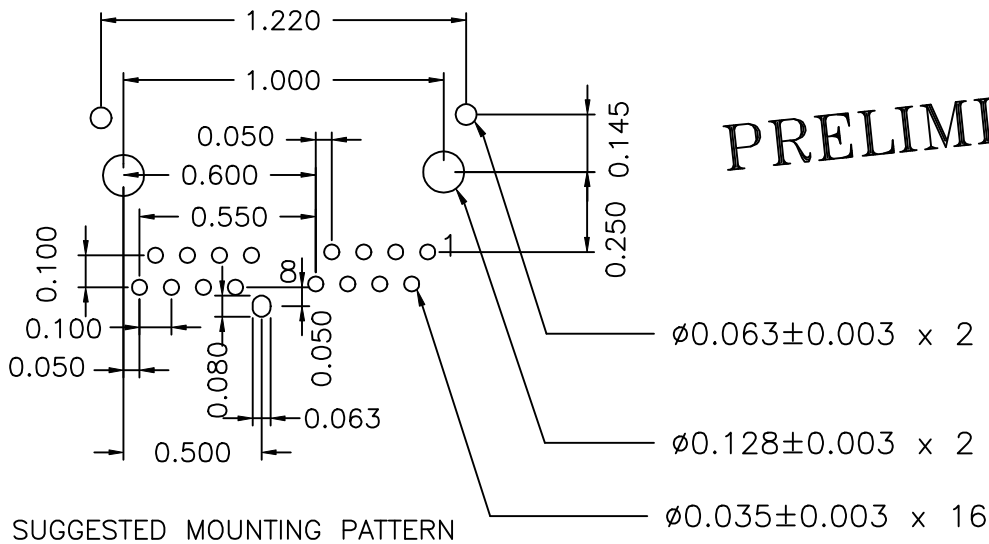
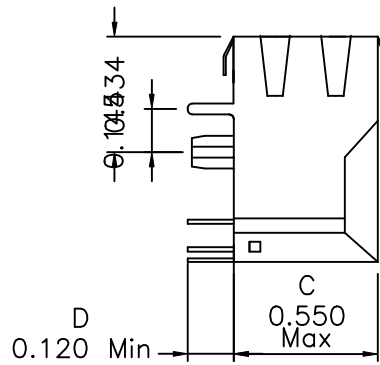
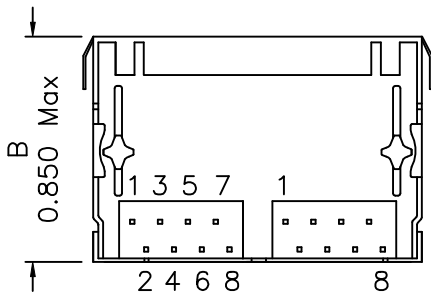
DOC. REV: A/1

XFMRs Inc.	Title: TWO PORTS COMBO	
	UNLESS OTHERWISE SPECIFIED	P/N: XFATM6-COMBO2-4S
TOLERANCES: .xxx ±0.010	DWN.	廖玉坤 May-10-02
Dimensions in Inch	CHK.	李清儿 May-10-02
SHEET 1 OF 2	APP.	BW May-10-02

Mechanical Dimensions: (FOR COMB02-4S)



TOP VIEW



PRELIMINARY

DOC REV: A/1

XFMRS Inc.	Title: Mechanical Dimensions For COMB02-4S Series		
	UNLESS OTHERWISE SPECIFIED TOLERANCES: .xxx ±0.010	P/N: XFATM6-COMB02-4S	REV. A
Dimensions in Inch	DWN.	李小锋	May-10-02
SHEET 2 OF 2	CHK.	廖玉坤	May-10-02
	APP.	BW	May-10-02